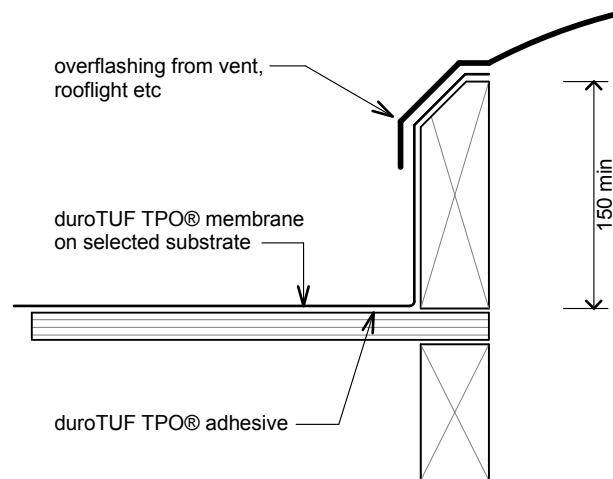


**NOTE:**

Maximum skylight penetration size 1200 x 1200mm

External corners to be formed as per duroTUF TPO® external corner detail



**duroTPO-T11 - Roof Skylite**

Revision: 10 August 2016